

# Pressure Control Panels

## VUP-4U Series

VIGOUR

### Product Feature

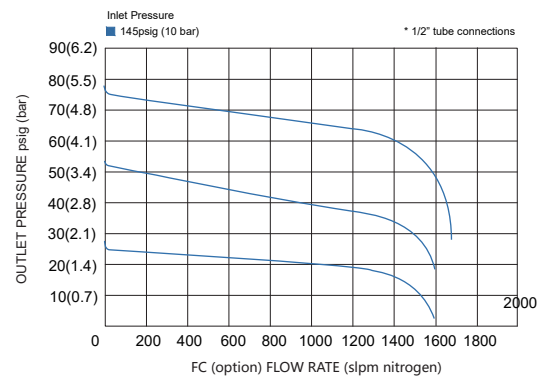
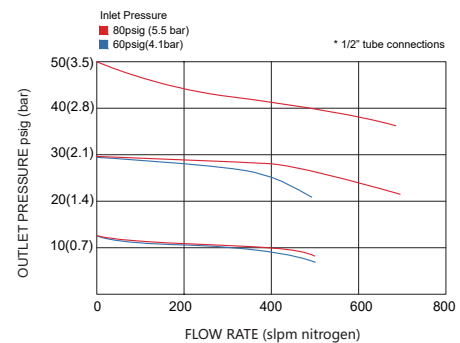
- Pressure Control Panels (Single side type)
- VSR-210UBS / UCS Series Single Stage Regulator
- Tied-diaphragm design
- VDV33UBS Series vent diaphragms Valves  
VDV33UBS Series Inlet process diaphragm valves
- Orbital welded VFS-face seal connections
- Modular design
- Suitable for inlet pressure up to 3000 psig (200bar)
- Easy installation into safety cabinet for gas cylinders
- 100% Helium leak tested



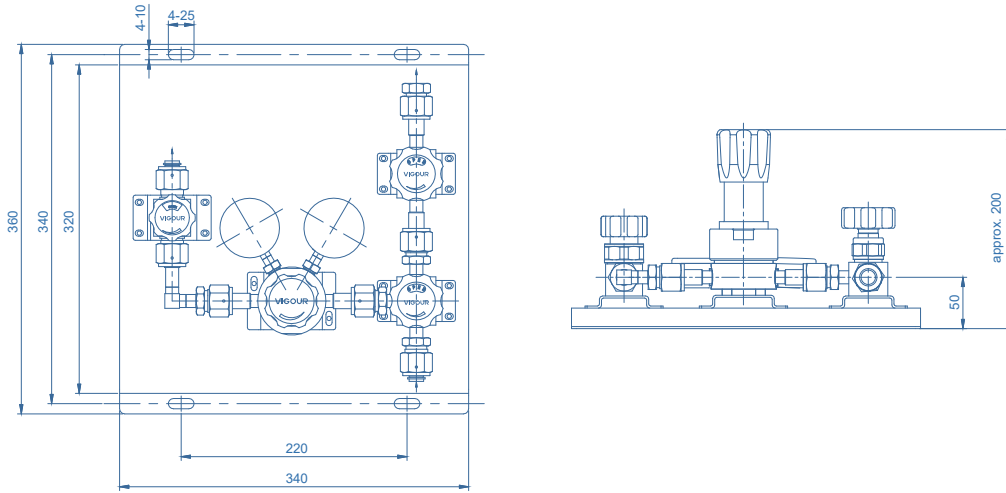
### Technical Data

Type:	single-stage
Inlet pressure P1:	max. 3000 psig (200bar)
Outlet pressure P2:	Vac to 30/60/100/150 psig (2/4/7/10bar)
Surface finish:	10µin. Ra (25µin. Ra optional)
<b>Materials</b>	
Body:	see ordering info
Valve seat (regulator):	PCTFE (VespeI® optional)
(diaphragm valve):	PEEK
Diaphragm (regulator):	Hastelloy® C276
(diaphragm valve):	Elgiloy®
Inlets and Outlets:	1/2" VFS Fitting
Temperature range:	-40°F to +160°F (-40°C to +71°C)
Leak rate: (to atmosphere)	1x10 <sup>-9</sup> mbar l/s He
(via seat)	1x10 <sup>-8</sup> mbar l/s He
Supply pressure effect:	3.5 psig rise in delivery pressure per 100 psig source pressure drop 4.2 psig rise in delivery pressure per 100 psig source pressure drop (FC option)
Flow capacity:	Cv=0.65, Cv=1.1 (HF optional)

### Flowchart



## Dimensions (mm)



## Ordering Information

### VUP - 4US - 200 - 10 - MV8 - MV8 - P - R25 - HF - FC - VS

<p><b>Body Material</b></p> <ul style="list-style-type: none"> <li>S: 316L</li> <li>SLV: 316L secondary remelt</li> <li>SHP: 316L body</li> <li>Hastelloy® C22 poppet</li> </ul> <p><small>*All options diaphragm material is Hastelloy® C276</small></p> <p><b>Inlet Pressure P<sub>1</sub></b></p> <ul style="list-style-type: none"> <li>20: 300 psig</li> <li>117: 1700 psig (standard)</li> <li>200: 3000 psig*</li> </ul> <p><small>* Not available with outlet pressure: V2 / V4 / 2 / 4</small></p> <p><b>Outlet Pressure P<sub>2</sub></b></p> <ul style="list-style-type: none"> <li>V2: Vac to 30 psig</li> <li>V4: Vac to 60 psig</li> <li>V7: Vac to 100 psig</li> <li>V10: Vac to 150 psig</li> <li>2: to 30 psig</li> <li>4: to 60 psig</li> <li>7: to 100 psig</li> <li>10: to 150 psig</li> </ul> <p><b>Inlet Connection</b></p> <ul style="list-style-type: none"> <li>MV8: 1/2" face seal male</li> <li>FV8: 1/2" face seal female</li> </ul> <p><b>Outlet Connection</b></p> <ul style="list-style-type: none"> <li>MV8: 1/2" face seal male</li> <li>FV8: 1/2" face seal female</li> </ul>	<p><b>Valve seat Option</b></p> <ul style="list-style-type: none"> <li>None: PCTFE</li> <li>VS: VespeI®</li> </ul> <p><b>Option</b></p> <ul style="list-style-type: none"> <li>FC: Force compensation</li> </ul> <p><small>* Force compensation feature inlet pressure Max. 300 psig</small></p> <p><small>* FC option is available with connection size 1/2 inch</small></p> <p><small>* Not available with outlet pressure: V2 / V4 / 2 / 4</small></p> <p><b>Cv Option</b></p> <ul style="list-style-type: none"> <li>None: Cv=0.65</li> <li>HF: Cv=1.1</li> </ul> <p><b>Surface Finish</b></p> <ul style="list-style-type: none"> <li>None: 10 µin. Ra</li> <li>R25: 25 µin. Ra</li> </ul> <p><b>Pressure Indication</b></p> <ul style="list-style-type: none"> <li>None: Inlet / Outlet Pressure gauge</li> <li>K: Contact gauge</li> </ul>
---	--

