

Pressure Control Panels

VUP-5U Series

VIGOUR

Product Feature

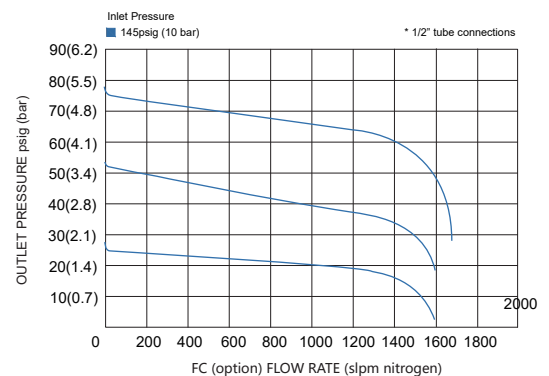
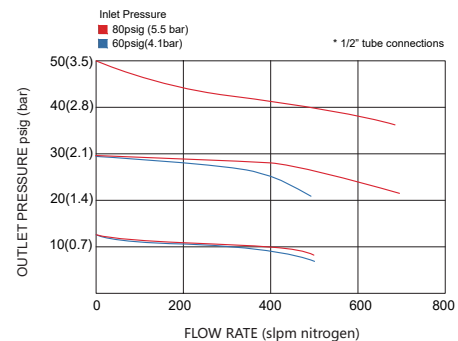
- Pressure Control Panels (Two-sided type)
- VSR-210UBS / UCS Series Single Stage Regulator
- Tied-diaphragm design
- VDV33UBS Series vent diaphragms Valves
VDV33UBS Series Inlet process diaphragm valves
- Orbital welded VFS-face seal connections
- Modular design
- Suitable for inlet pressure up to 3000 psig (200bar)
- Easy installation into safety cabinet for gas cylinders
- 100% Helium leak tested



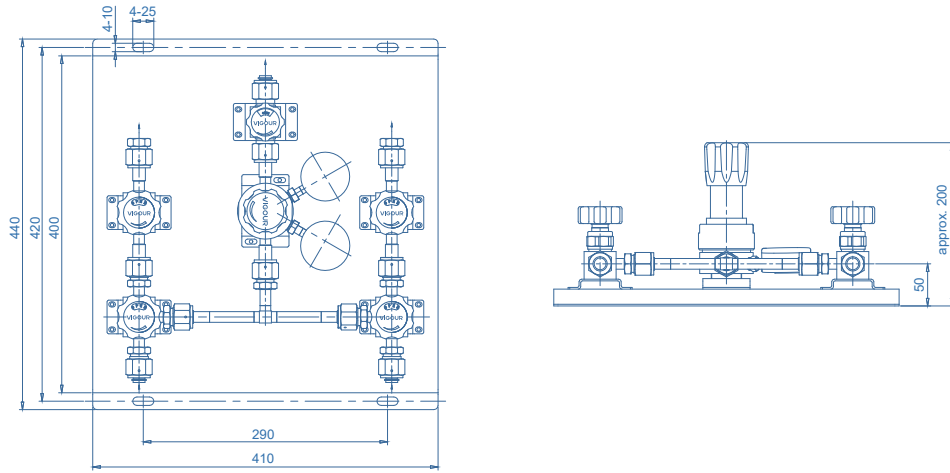
Technical Data

| | |
|----------------------------|--|
| Type: | single-stage |
| Inlet pressure P1: | max. 3000 psig (200bar) |
| Outlet pressure P2: | Vac to 30/60/100/150 psig (2/4/7/10bar) |
| Surface finish: | 10µin. Ra (25µin. Ra optional) |
| Materials | |
| Body: | see ordering info |
| Valve seat (regulator): | PCTFE (VespeI® optional) |
| (diaphragm valve): | PEEK |
| Diaphragm (regulator): | Hastelloy® C276 |
| (diaphragm valve): | Elgiloy® |
| Inlets and Outlets: | 1/2" VFS Fitting |
| Temperature range: | -40°F to +160°F (-40°C to +71°C) |
| Leak rate: (to atmosphere) | 1x10 ⁻⁹ mbar l/s He |
| (via seat) | 1x10 ⁻⁸ mbar l/s He |
| Supply pressure effect: | 3.5 psig rise in delivery pressure per 100 psig source pressure drop 4.2 psig rise in delivery pressure per 100 psig source pressure drop (FC option) |
| Flow capacity: | Cv=0.65, Cv=1.1 (HF optional) |

Flowchart



Dimensions (mm)



Ordering Information

VUP - 5US - 200 - 10 - MV8 - MV8 - P - R25 - HF - FC - VS

| | | | | | | | | | |
|---|---|--|---|--|--|--|---|--|---|
| <p>Body Material</p> <ul style="list-style-type: none"> S: 316L SLV: 316L secondary remelt SHP: 316L body Hastelloy® C22 poppet <p><small>*All options diaphragm material is Hastelloy® C276</small></p> | <p>Inlet Pressure P₁</p> <ul style="list-style-type: none"> 20: 300 psig 117: 1700 psig (standard) 200: 3000 psig* <p><small>* Not available with outlet pressure: V2 / V4 / 2 / 4</small></p> | <p>Outlet Pressure P₂</p> <ul style="list-style-type: none"> V2: Vac to 30 psig V4: Vac to 60 psig V7: Vac to 100 psig V10: Vac to 150 psig 2: to 30 psig 4: to 60 psig 7: to 100 psig 10: to 150 psig | <p>Inlet Connection</p> <ul style="list-style-type: none"> MV8: 1/2" face seal male FV8: 1/2" face seal female | <p>outlet Connection</p> <ul style="list-style-type: none"> MV8: 1/2" face seal male FV8: 1/2" face seal female | <p>Valve seat Option</p> <ul style="list-style-type: none"> None: PCTFE VS: Vespel® | <p>Option</p> <ul style="list-style-type: none"> FC: Force compensation <p><small>* Force compensation feature inlet pressure Max. 300 psig</small></p> <p><small>* FC option is available with connection size 1/2 inch</small></p> <p><small>* Not available with outlet pressure: V2 / V4 / 2 / 4</small></p> | <p>Cv Option</p> <ul style="list-style-type: none"> None: Cv=0.65 HF: Cv=1.1 | <p>Surface Finish</p> <ul style="list-style-type: none"> None: 10 µin. Ra R25: 25 µin. Ra | <p>Pressure Indication</p> <ul style="list-style-type: none"> None: Inlet / Outlet Pressure gauge K: Contact gauge |
|---|---|--|---|--|--|--|---|--|---|

