

Pressure Control Panels

VUP-1U Series

VIGOUR

Product Feature

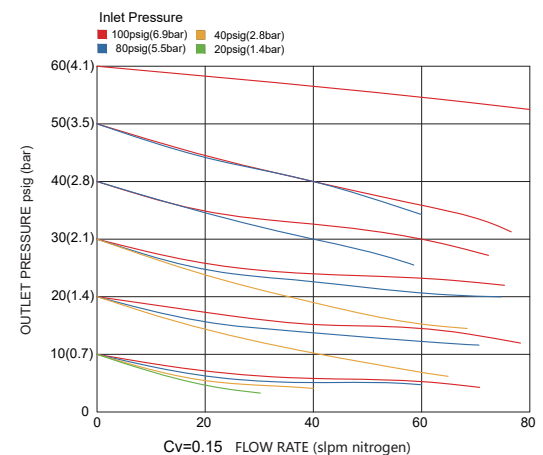
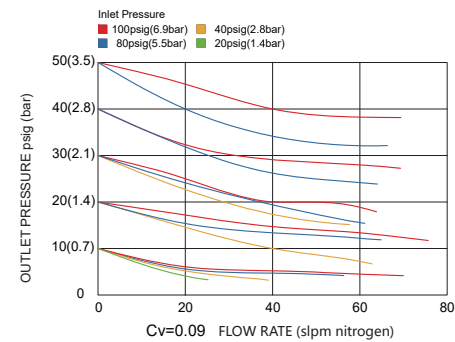
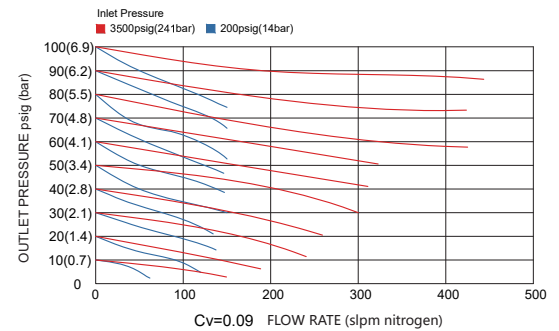
- Pressure Control Panels (Single side type)
- VSR-100UBS / UCS Series Single Stage Regulator
- VDV33UBS Series vent diaphragms Valves
VDV33UBS Series Inlet process diaphragm valves
- Orbital welded VFS-face seal connections
- Modular design
- Suitable for inlet pressure up to 3500 psig (250bar)
- Easy installation into safety cabinet for gas cylinders
- 100% Helium leak tested



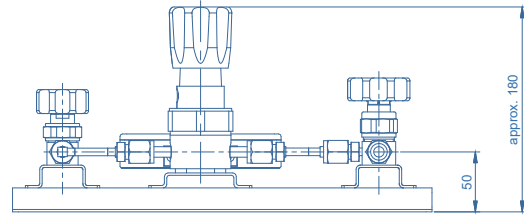
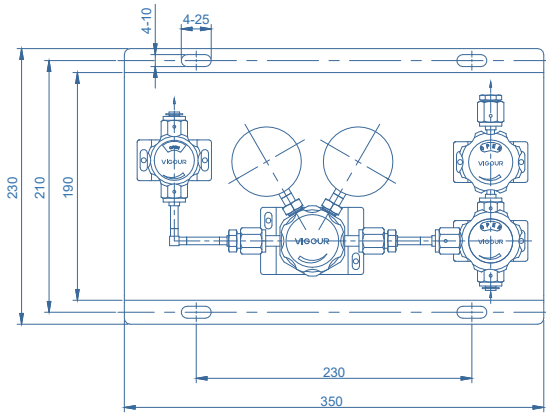
Technical Data

Type:	single-stage
Inlet pressure P1:	max. 3500 psig (250bar)
Outlet pressure P2:	Vac to 10/30/60/100/150 psig (0.7/2/4/7/10 bar)
Surface finish:	10µin. Ra (25µin. Ra optional)
Materials	
Body:	see ordering info
Valve seat (regulator):	PCTFE (VespeI® optional)
(diaphragm valve):	PEEK
Diaphragm (regulator):	Hastelloy® C276
(diaphragm valve):	Elgiloy®
Inlets and Outlets:	1/4" VFS Fitting
Temperature range:	-40°F to +160°F (-40°C to +71°C)
Leak rate: (to atmosphere)	1x10 ⁻⁹ mbar l/s He
(via seat)	1x10 ⁻⁸ mbar l/s He
Supply pressure effect:	0.35 psig rise in delivery pressure per 100 psig source pressure drop @Cv=0.09 0.5psig rise in delivery pressure per 100 psig source pressure drop @Cv=0.15
Flow capacity:	Cv=0.09 (Cv=0.15 option)

Flowchart



Dimensions (mm)



Ordering Information

VUP - 1US - 250 - 10 - MV4 - MV4 - P - R25 - HF - VS

<p>Body Material</p> <ul style="list-style-type: none"> S: 316L SLV: 316L secondary remelt SHP: 316L body and nozzle Hastelloy® C22 poppet <p><small>*All options diaphragm material is Hastelloy® C276</small></p>	<p>Inlet Pressure P₁</p> <ul style="list-style-type: none"> 20: 300 psig 250: 3500 psig 	<p>Outlet Pressure P₂</p> <ul style="list-style-type: none"> V0.7: Vac to 10 psig * V2: Vac to 30 psig V4: Vac to 60 psig V7: Vac to 100 psig V10: Vac to 150 psig 0.7: to 10 psig * 2: to 30 psig 4: to 60 psig 7: to 100 psig 10: to 150 psig <p><small>* When the outlet pressure is "V0.7" and "0.7", the inlet pressure can only be "20".</small></p>	<p>Valve seat Option</p> <ul style="list-style-type: none"> None: PCTFE VS: Vespel® 	<p>Cv Option</p> <ul style="list-style-type: none"> None: Cv=0.09 HF: Cv=0.15 	<p>Surface Finish</p> <ul style="list-style-type: none"> None: 10 μin. Ra R25: 25 μin. Ra 	<p>Pressure Indication</p> <ul style="list-style-type: none"> None: Inlet / Outlet Pressure gauge K: Contact gauge 	<p>outlet Connection</p> <ul style="list-style-type: none"> MV4: 1/4" face seal male FV4: 1/4" face seal female 	<p>Inlet Connection</p> <ul style="list-style-type: none"> MV4: 1/4" face seal male FV4: 1/4" face seal female
--	---	--	--	--	--	---	--	---

