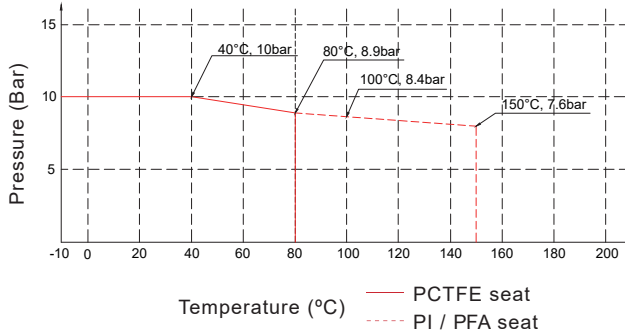


## Product Feature

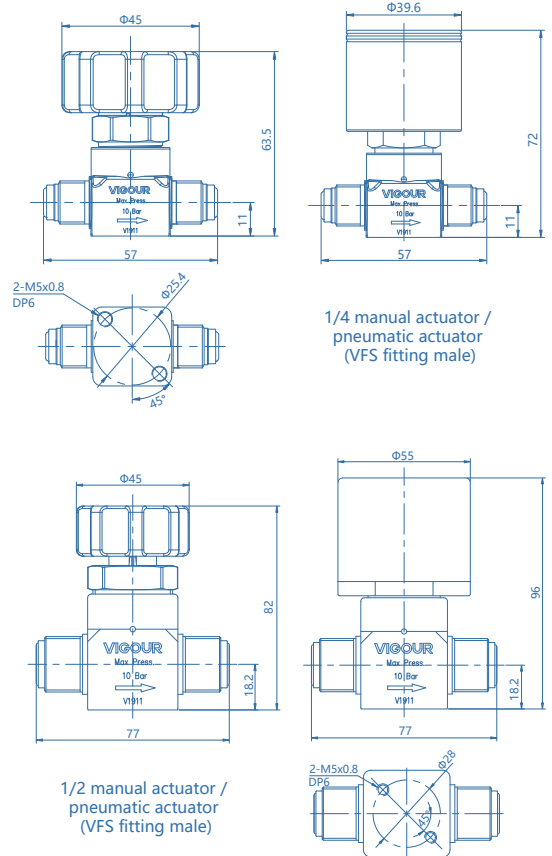
- Suitable for ultra-pure, flammable or toxic fluid lines in semiconductor manufacturing equipment and facilities
- Direct diaphragm construction with superior sealing performance, remarkable durability, compactness and particle and dead-space-free performance
- Valve open and closed position is easily visible at a glance
- EP treatment is standard for all wetted surfaces
- Standard seat material is PCTFE, Polyimide / PFA is option



## Temperature / Pressure Rating



## Dimensions (mm)



## Technical Data

Max. Working Pressure:	150 psig (10bar)
Actuation Pressure:	58~87psig (4~6bar)
Max. Working Temp.:	14°F ~ 176°F (-10°C ~ 80°C)
Surface finish:	10µin. Ra
Materials	
Body:	see ordering info
Diaphragm:	Elgiloy®
Seat packing:	PCTFE
Handle:	AL
Internal Leakage Allowance:	1x10 <sup>-9</sup> mbar l/s He
External Leakage Allowance:	1x10 <sup>-9</sup> mbar l/s He
Flow capacity:	1/4" Cv=0.3 1/2" Cv=0.65
Weight:	approx. 0.36kg (depending on connections or options)

## Ordering information

**VDV22UBS - M - MV4 - MV4 - PA - P**

### Materials

S: 316L

### Actuator

M: manual actuator

PO: pneumatic actuator, normally opened

PC: pneumatic actuator, normally closed

### End Connection

MV4: 1/4" VFS fitting male

MV8: 1/2" VFS fitting male

FV4: 1/4" VFS fitting female

FV8: 1/2" VFS fitting female

\* Other connection standard, consult factory

### Process Specification

None: VS001B

P: VS001A

\* For details, please refer to the appendix.

### Valve Seat Option

None: PCTFE (standard)

VS: Vespel®

PA: PFA

